



ECOLOGICAL COOLERS

ECON PARTS CATALOGUE

www.viesa.ca / 1-888 438-8444

IMPORTANT

Installation requires an experienced mechanic with specific knowledge in the installation of the VIESA Ecological Cooler. Installation, disassembly, repairs and maintenance must be performed by an Authorized Installer. Authorized Installer must use proper protective equipment when installing the system.

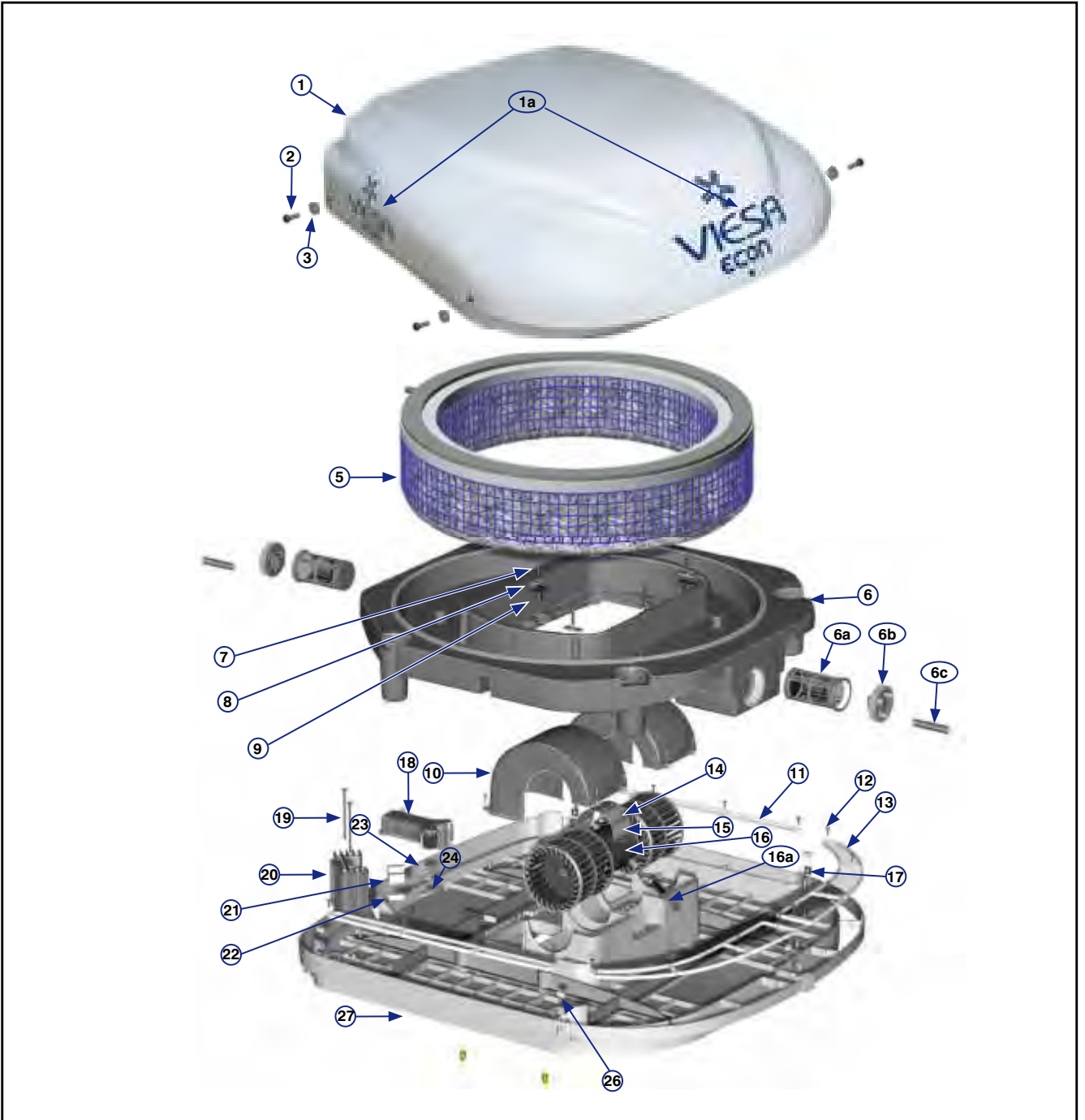
Improper installation or use of unauthorized parts can cause malfunctions, loss of battery life or other consequences which may result in serious injury.

Manufacturer or Distributor will not be responsible for injuries or damages resulting from misuse of equipment, use contrary to operating instructions or installation by any person other than an Authorized Installer.

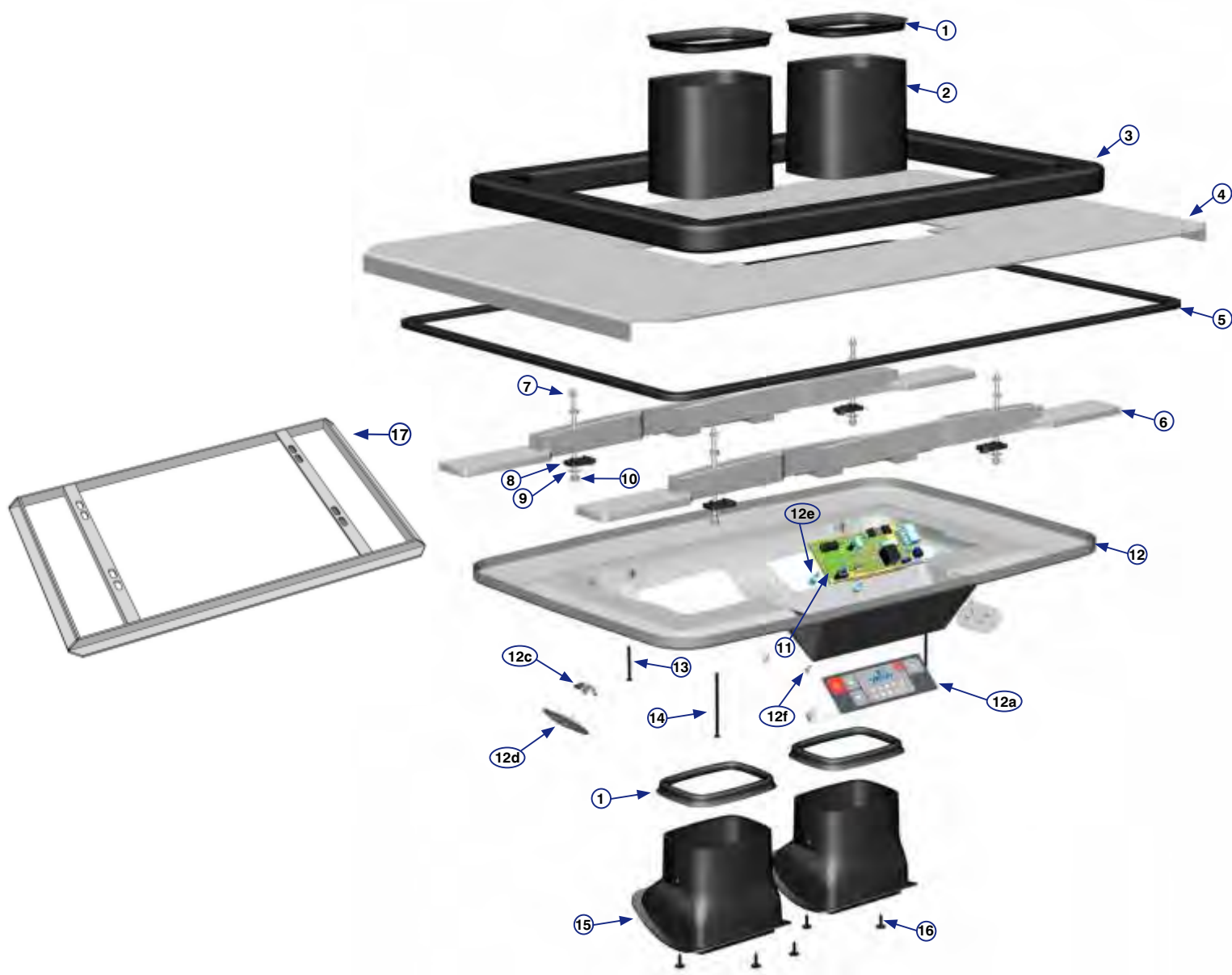
Information contained in this manual is subject to change. Manufacturer reserves the right, without notice, to make changes in equipment design or components as progress in engineering, manufacturing or technology may warrant.

World-wide Patents

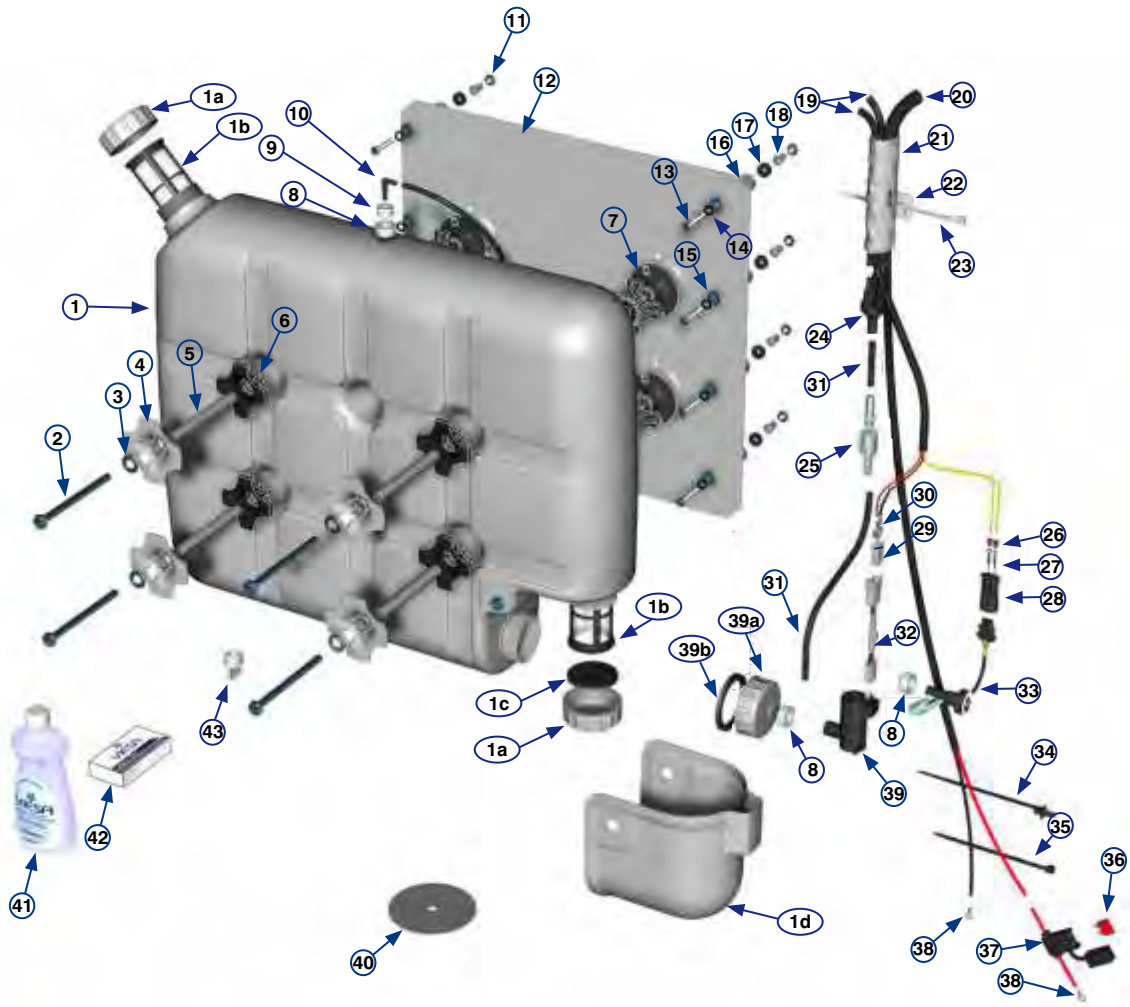
VIGIA is a trademark of Col-Ven S.A.



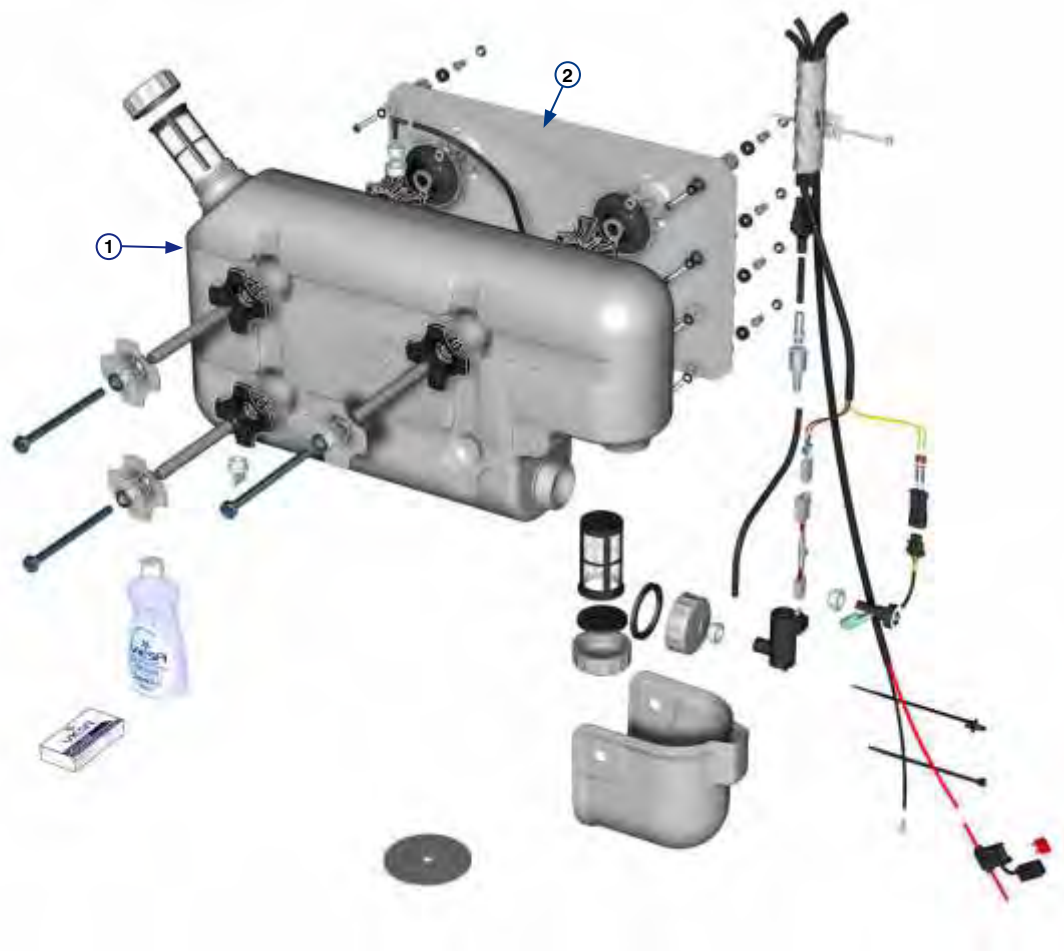
CODE		DESCRIPTION
1.	X6010.A005-8	Econ evaporator cover
1a.	X6010.A056-2	Econ decals
2.	X9401.A075-3	Screw MA 6 x 40 mm.
3.	X6001.A060-2	1/4" plastic washer
5.	X6006.A009-1	Viesia Plus evaporator
6.	X6006.A049-0	Viesia Plus evaporator's tray
6a.	X6004.A357-7	PVC filter (Ø 46 mm. length 95 mm.)
6b.	X6004.A017-9	Cap for evaporator's tray water filter
6c.	X6005.A091-2	Spring (Ø 9.30 mm x 60 mm)
7.	X9401.A041-2	Philips screw (3/16 x 1-3/8).
8.	X6004.A310-7	Plastic washer for tray tray
9.	X9404.A117-1	Muffling rubber washer.
10.	X6006.A011-1	Plastic cover for biturbo blower
11.	X6006.A014-4	Side air grille
12.	X9401.A042-1	Philips screw 2.9 x 3/4.
13.	X6006.A015-6	Front air grille
14.	X9401.A038-0	Philips screw (3/16 x 3/4).
15.	X6006.A189-0	Mounting bracket for biturbo blower
16.	X6010.A046-9	Biturbo sealed blower 12 V. - Econ
16a.	X6004.A245-9	Brushes for biturbo blower
17.	X9403.A029-0	Square nut 7/16-E 4.85 M6 x 1.00
18.	X6005.A118-9	Harness for evaporator's electrical connection
19.	X9401.A036-6	Philips screw 4 x 87 mm.
20.	X6005.A155-2	Intelligent Plus - Econ - Agro power module
21.	X1502.A005-9	5-way socket for relay
22.	X1502.A008-2	2-way socket
23.	X1110.A022-6	Spade terminal for 5-way socket
24.	X1110.A008-2	Spade terminal for 2-way socket
26.	X6005.A090-0	Nut plug for evaporator's base
27.	X6006.A005-3	Viesia Plus evaporator's base



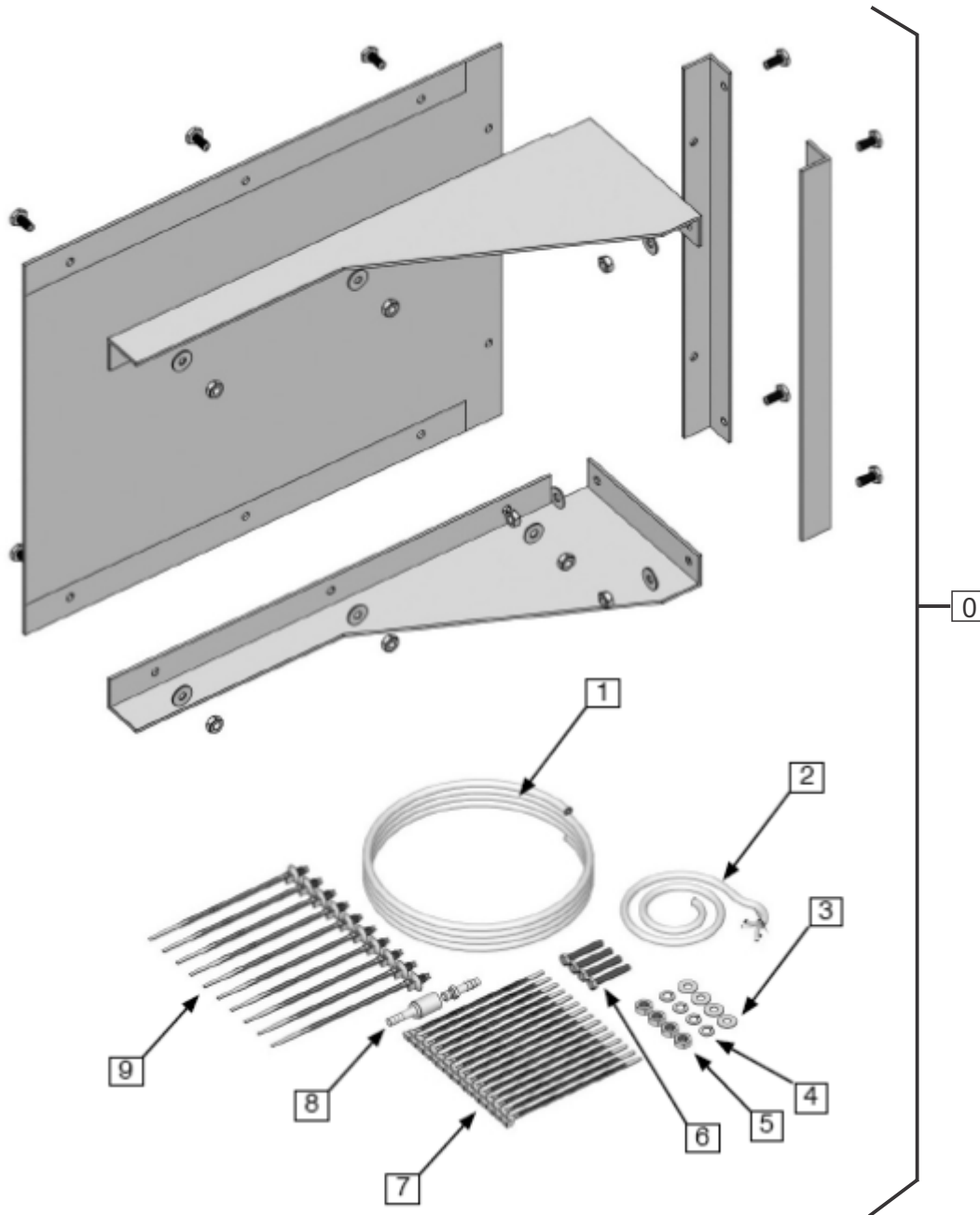
	CODE	DESCRIPTION
1.	X6006.A016-8	Weather strip for air duct and grille
2.	X6005.A039-0	Air duct (240 mm.)
2.	X6006.A006-5	Air duct (125 mm.)
3.	X6001.A052-3	Weather strip (30 x 40 x 2300 mm)
3.	X6001.A101-3	Weather strip (30 x 25 x 2300 mm)
3.	X6001.A658-0	Weather strip (20 x 25 x 2300 mm)
4.	X6002.A177-4	Reducer support 960 x 580 mm.
4.	X6002.A178-6	Reducer support 830 x 580 mm.
4.	X6006.A079-6	Reducer support 705 x 505 mm.
5.	X6001.A051-1	Weather strip (7 x 15 x 2500 mm)
6.	X6002.A064-4	Adjustable roof support 340 mm
6.	X6005.A024-0	Adjustable roof support 470 mm
7.	X9403.A005-9	Hexagonal nut MA 6 mm.
8.	X6002.A066-8	Plastic nut for upholstery cover
8.	X6002.A074-7	Plastic nut for upholstery cover with 35 mm spacer
9.	X9404.A054-3	Washer Ø 7 x 18.5 x 1.5 mm.
10.	X9402.A047-5	Screw MA 6 x 40 mm.
10.	X9402.A060-0	Hexagonal head screw MA 6 x 110 mm.
10.	X9402.A064-5	Screw MA 6 x 50 mm.
10.	X9402.A067-1	Screw MA 6 x 85 mm.
11.	X6010.A002-2	Viesia Agro - Econ power and control module
12.	X6004.A269-0	Upholstery cover (850 x 580 mm)
12.	X6004.A271-0	Upholstery cover (705 x 580 mm)
12.	X6004.A272-2	Upholstery cover (620 x 480 mm)
12.	X6004.A274-3	Upholstery cover (625 x 425 mm)
12.	X6004.A276-7	Upholstery cover (660 x 445 mm)
12.	X6004.A277-9	Upholstery cover (535 x 580 mm)
12.	X6004.A278-1	Upholstery cover (700 x 500 mm)
12.	X6004.A280-1	Upholstery cover (830 x 535 mm)
12a	X6004.A268-8	Econ touch-pad control
12c	X6005.A045-8	Blind cap lock for light kit
12d	X6005.A044-6	Blind cap for light kit
12e	X6005.A107-4	Plastic spacer for power and control module.
12f	X9401.A031-9	Philips screw N° 6 x 1/2".
13.	X9401.A023-0	Philips screw (5 x 44 mm.)
14.	X9401.A020-4	Philips screw (5 x 95 mm.)
15.	X6004.A176-3	Air grille
16.	X9401.A026-3	Philips screw N°8 x 1/2.
17.	X6004.A188-0	Steel frame for roof without hatch



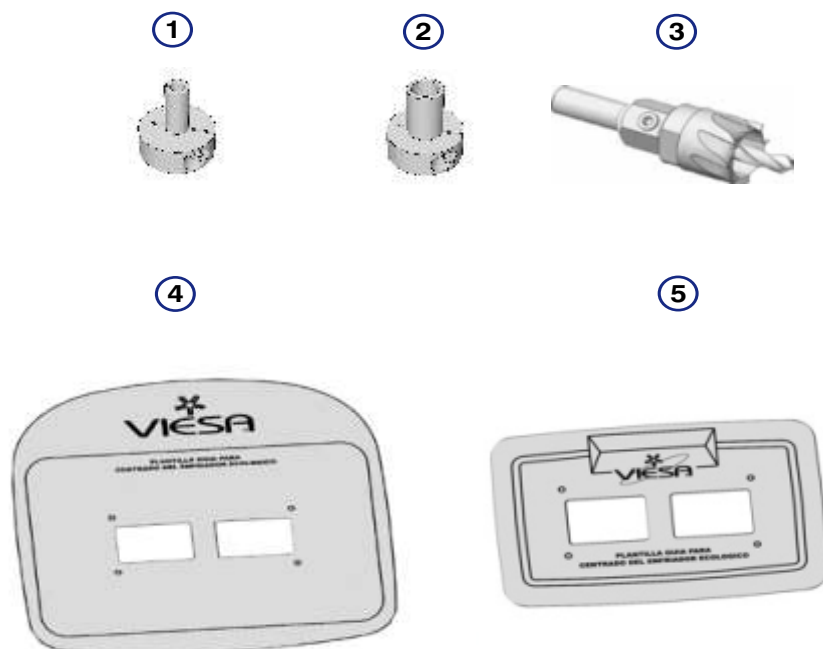
	CODE	DESCRIPTION
1.	X6006.A030-2	Water tank
1a.	X6003.A076-5	Water tank cap
1b.	X6004.A357-7	PVC filter (Ø 46 mm. length 95 mm.)
1c.	X6004.A183-0	Gasket for water tank's cap
1d.	X6004.A322-1	Water pump cover
2.	X9402.A117-0	Hex-head screw MA 10 x 140 mm.
3.	X9404.A127-4	Washer 11.5 mm.
4.	X6004.A337-1	Plastic washer for water tank
5.	X6004.A339-5	Spacer tube 135 mm.
6.	X6004.A323-3	Securing washer for water tank
7.	X6004.A338-3	Crimp washer for water tank
8.	X6001.A074-0	Rubber gasket for water level sensor
9.	X6001.A187-0	Rubber gasket for water tank vent
10.	X6004.A049-9	Water tank vent
11.	X9403.A005-9	Hexagonal nut MA 6 mm.
12.	X6004.A335-0	Water tank support plate (500 x 470 mm.)
13.	X9402.A047-5	Screw MA 6 x 40 mm.
13.	X9402.A064-5	Screw MA 6 x 50 mm.
14.	X9404.A052-2	Grower washer Ø 1/4"
15.	X9404.A054-3	Washer Ø 7 x 18.5 x 1.5 mm.
16.	X6005.A025-2	Aluminium spacer Ø 22 x 10 mm.
16.	X6005.A026-4	Aluminium spacer Ø 22 x 15 mm.
17.	X6004.A178-7	Polyester washer
18.	X6004.A107-0	Threaded rivet MA 6 x 1.00
18.	X6004.A202-4	Neoprene threaded rivet MA 6 x 1.00
19.	X6004.A009-0	Black PVC hose 4.5 x 8 mm. x 600 cm.
20.	X6004.A010-8	Black PVC hose 9 x 15 mm. x 600 cm.
21.	X6006.A109-2	Viesa Agro - Econ electric and hydraulic installation
21.	X6006.A008-9	Cord wrap grey 360 cm
22.	X6002.A184-1	Self-adhesive tie base
23.	X9303.A014-1	Plastic tie gray 223 mm
24.	X6010.A008-1	Dual restriction valve 8mm.
25.	X6003.A113-1	Quick connection hose 5/16"
26.	X1111.A209-3	2-way connector seal
27.	X1110.A028-5	Crimp wire terminal male
28.	X1111.A208-1	2-way connector male
29.	X1502.A008-2	2-way socket
30.	X1110.A008-2	Spade terminal for 2-way socket
31.	X6010.A051-2	Black PVC hose 7 x 11 x 1000 mm.
32.	X6010.A058-3	Antiparasitic filter Econ
33.	X6005.A056-0	Water level sensor
34.	X9303.A013-2	Plastic loop tie black
35.	X9303.A010-6	Plastic tie black 223 x 5 mm
36.	X6003.A130-1	Fuse 15 A.
37.	X6005.A023-1	Fuse box
38.	X1110.A023-8	Wire terminal 10 mm
39.	X6001.A027-4	Water pump 12 V Econ
39a.	X6010.A012-5	Water tank cap with hole
39b.	X6004.A184-2	Gasket for water pump
40.	X6005.A108-6	Cabin reinforcement plate



	CODE	DESCRIPTION
1.	X6004.A359-1	Small water tank
2.	X6004.A336-2	Water tank support plate (500 x 300 mm.)



CODE	DESCRIPTION
0. X6004.A260-5	Water tank chassis installation kit
1. X6004.A010-8	Black PVC hose 9 x 15 mm. x 600 cm.
2. X9703.A003-6	Electrical wire (per meter)
3. X9404.A063-4	Washer 5/16".
4. X9404.A056-7	Grower washer 5/16".
5. X9403.A021-7	Nut MA 8.
6. X9402.A059-2	Screw MA 8 x 65 mm.
7. X9303.A014-1	Plastic tie gray 223 mm
8. X6004.A086-2	Quick connection hose 9 x 15 mm
9. X9303.A013-2	Plastic loop tie black



	CODE	DESCRIPTION
1.	X1122.A234-4	Drill bit stopper 5mm
2.	X1122.A235-6	Drill bit stopper 9mm
3.	X1122.A237-0	Hole-saw 22mm
4.	X6005.A119-1	Template exterior
5.	X6005.A120-9	Template interior

PARTS CATALOGUE VIESA ECON

**REVISION 003
1-2012**



P.O.Box 1352 – 1500 Avenue Road
Toronto, Ontario M5M 0A1
CANADA

COLVEN

Ruta 11 Km.814 - Guadalupe Norte
Prov. de Santa Fe (S3574XAB)
ARGENTINA

ORDER ON-LINE

www.viesa.ca / 1-888 438-8444