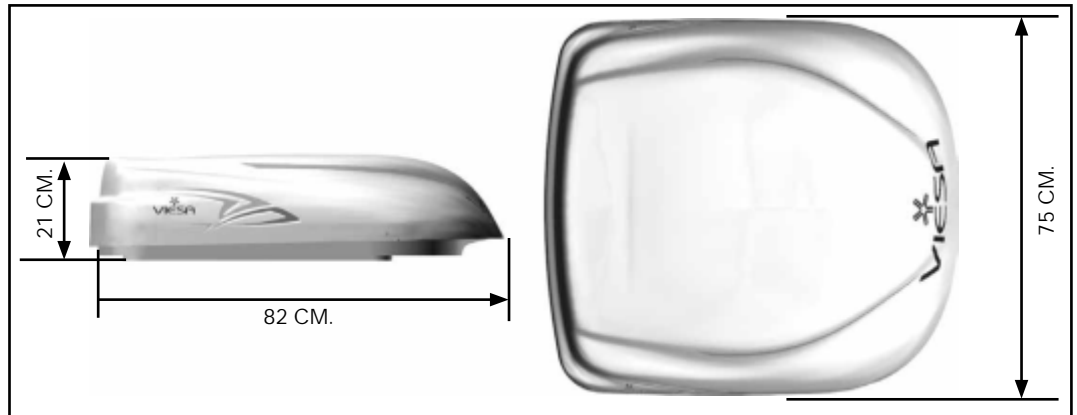


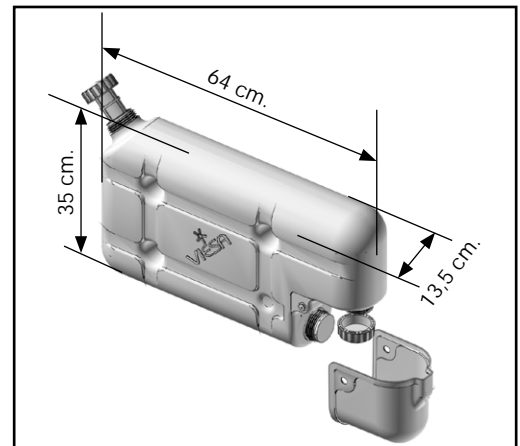
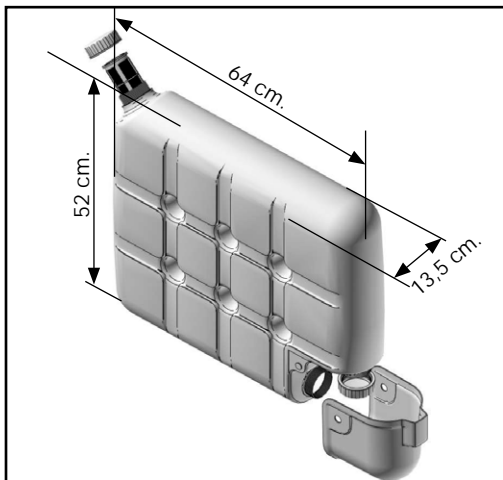
## EVAPORATOR UNIT



## WATER TANK

Standard: 32 litres. Dimensions: 64 x 52 x 13,5 cm.

Small: 20 litres. Dimensions: 64 x 35 x 13,5 cm.



## ORDER ON-LINE

[www.viesa.ca](http://www.viesa.ca) / 1-888 438-8444