



ECOLOGICAL COOLERS

ECON

User's Manual

www.viesa.ca / 1-888 438-8444



IMPORTANT

Installation requires an experienced mechanic with specific knowledge in the installation of the VIESA Ecological Cooler. Installation, disassembly, repairs and maintenance must be performed by an Authorized Installer. Authorized Installer must use proper protective equipment when installing the system.

Improper installation or use of unauthorized parts can cause malfunctions, loss of battery life or other consequences which may result in serious injury.

Manufacturer or Distributor will not be responsible for injuries or damages resulting from misuse of equipment, use contrary to operating instructions or installation by any person other than an Authorized Installer.

Information contained in this manual is subject to change. Manufacturer reserves the right, without notice, to make changes in equipment design or components as progress in engineering, manufacturing or technology may warrant.

World-wide Patents

VIGIA is a trademark of Col-Ven S.A.

Function

VIESA Econ is a roof mounted cab cooler that delivers cool air to the truck's cabin using evaporative cooling and without running the truck's engine.

Operation

Cooling is generated by vaporized cool water delivered by a self-contained electrical motor. During operation it only consumes water and it makes no use of internal combustion engines, nor does it use chemical coolants or emit gases into the atmosphere. The unit is equipped with a water pump located in an auxiliary tank which takes water to the evaporator. A biturbo blower pushes the exterior air to the interior of the truck forcing the air through the evaporator and therefore cooling the warm air. The exceeding water backs to the water tank.

Application

Applied to any vehicle withan operating voltage of 12 V.



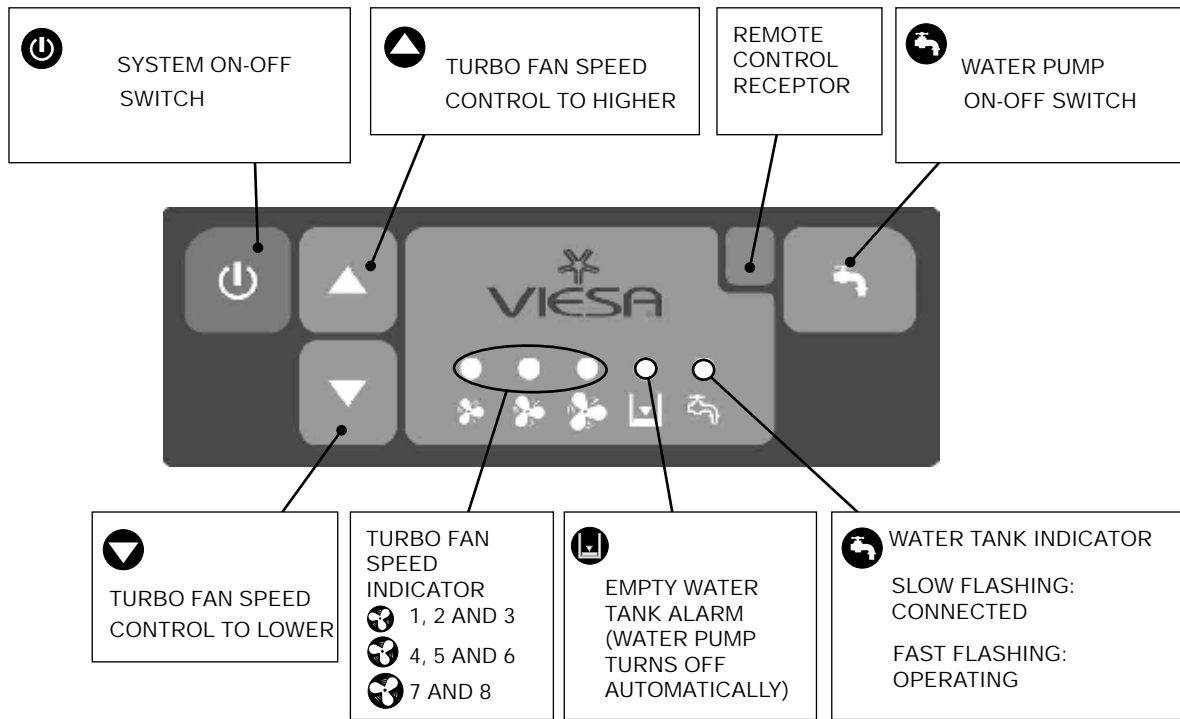
BOARD INDICATIONS

Important: *before switching on the equipment:*

With parked vehicle: Open one of the windows 2 to 3 cms.

With the vehicle in motion: Open one of the windows 2 to 3 cms and close all other air entrances to the cabin so that hot air does not enter from exterior.

BOARD



Note: *Keys must be held pressed for \pm 1 second.*

MAINTENANCE

The equipment will delay in cooling until the evaporator is totally wet.
Do not use fuses higher than 15 Amp.

The equipment will deactivate automatically due to low tension so as to prevent damages to the battery.

Use only clean water.

Foresee replenishment of water taking into account that the equipment consumes between 2 and 5 litres per hour depending on the ambient temperature.

During short stops leave the equipment on so as to keep the cabin fresh.

System must be turned off when exhaust fumes or toxic particles could enter the cab through the system.

▲ When performing maintenance of the equipment or if the evaporator unit's cover or the upholstery cover are removed, the system **MUST NOT BE SWITCHED ON** and you must not switch it on with any of these elements removed.

Keep the tank clean. Every 200 hours of use

- Drain all the water from the tank by removing the drain plug.
- Rinse with clean water thoroughly
- Pour one bottle of Viesa Scented Cleansing Fluid.
- Fill-up the tank with clean water.

Each 6 months change the package of granulated Calfa Bas crystals.
Do not use chemical products to clean the control panel.

VIESA SCENTED FLUID (EVERY 200 HOURS OF USE)



GRANULATED CALFA BAS EACH 6 MONTHS

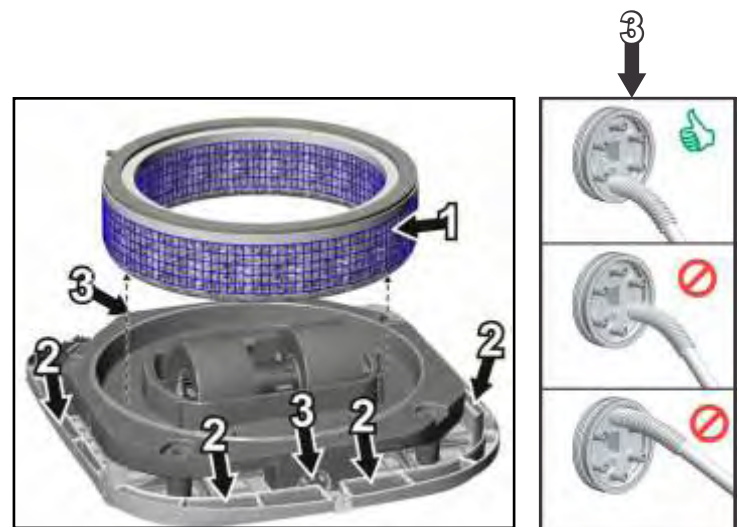


Every 2 months or according to working conditions:

- Submerge the evaporator in water with bleach (1).
- Clean the grids of the air entrances (2).
- Clean the filter of the collector tray (3).

Once a year replace the evaporator (1).

Reconnect water returning hose to the filter of the collector tray according to the figure.





LIMITED WARRANTY

This limited warranty is provided to the original buyer only and covers the VIESA ECOLOGICAL CAB COOLER (the "Product") manufactured by Col-Ven S.A. (the "Manufacturer") and distributed by RCR Systems Limited (the "Distributor").

The warranty period is one year from date of original purchase by the buyer. During this period, if the product is found to be defective in mechanical or electrical materials or workmanship during normal use, it will be repaired or replaced at no charge to the buyer. The buyer will be required to show date and proof of purchase and to return the Product pre-paid to an Authorized Dealer.

THIS LIMITED WARRANTY DOES NOT COVER, AND MANUFACTURER OR DISTRIBUTOR WILL NOT BE RESPONSIBLE FOR, THE FOLLOWING:

- Normal wear of parts;
- Failures or defects due to negligent use, misuse, neglect, abuse, use on improper voltage or current, use contrary to operating instructions, accidents, alterations, disassembly, installation, repair or alteration by any person other than an Authorized Dealer, fire, floods or acts of God.
- Products or accessory equipment not manufactured by the Manufacturer.
- Performance of Product when used in combination with other products or equipment not manufactured by the Manufacturer.
- Payments for labour or service to unauthorized representatives or service agents.

Manufacturer or Distributor will not be responsible for loss of time, inconvenience, loss of use of the Product, injury to buyer or other persons or damage to vehicle or property caused by the Product or by its failure to work or for any other incidental, punitive or consequential damages.

The Manufacturer reserves the right to make the final decision on any warranty claim that may be questionable.

This warranty is not transferable.

EXCEPT AS PROVIDED HEREIN, THIS WARRANTY EXPRESSLY EXCLUDES:

- (i) all warranties and conditions, whether express, implied or statutory, including but not limited to warranties and conditions of merchantability for a particular purpose; and
- (ii) any agreements, representations, affirmations, warranties or conditions, whether oral or written, made by any agent, employee or representative of seller.

This warranty sets forth the entire responsibility of Manufacturer and Distributor with respect to the Product. The buyer's exclusive remedy is repair or replacement as stated herein. In no event shall Manufacturer or Distributor's liability exceed the cost of correcting defects as provided herein and any such liabilities will terminate upon expiration of the one year warranty period.

USER'S MANUAL VIESA ECON

REVISION 003
1-2012



P.O.Box 1352 – 1500 Avenue Road
Toronto, Ontario M5M 0A1
CANADA

COLVEN

Ruta 11 Km.814 - Guadalupe Norte
Prov. de Santa Fe (S3574XAB)
ARGENTINA

ORDER ON-LINE

www.viesa.ca / 1-888 438-8444