



ECOLOGICAL COOLERS

HOLIDAY II PARTS CATALOGUE

www.viesa.ca / 1-888 438-8444

IMPORTANT

Installation requires an experienced mechanic with specific knowledge in the installation of the VIESA Ecological Cooler. Installation, disassembly, repairs and maintenance must be performed by an Authorized Installer. Authorized Installer must use proper protective equipment when installing the system.

Improper installation or use of unauthorized parts can cause malfunctions, loss of battery life or other consequences which may result in serious injury.

Manufacturer or Distributor will not be responsible for injuries or damages resulting from misuse of equipment, use contrary to operating instructions or installation by any person other than an Authorized Installer.

Information contained in this manual is subject to change. Manufacturer reserves the right, without notice, to make changes in equipment design or components as progress in engineering, manufacturing or technology may warrant.

World-wide Patents

VIGIA is a trademark of Col-Ven S.A.

Index

PARTS CATALOGUE

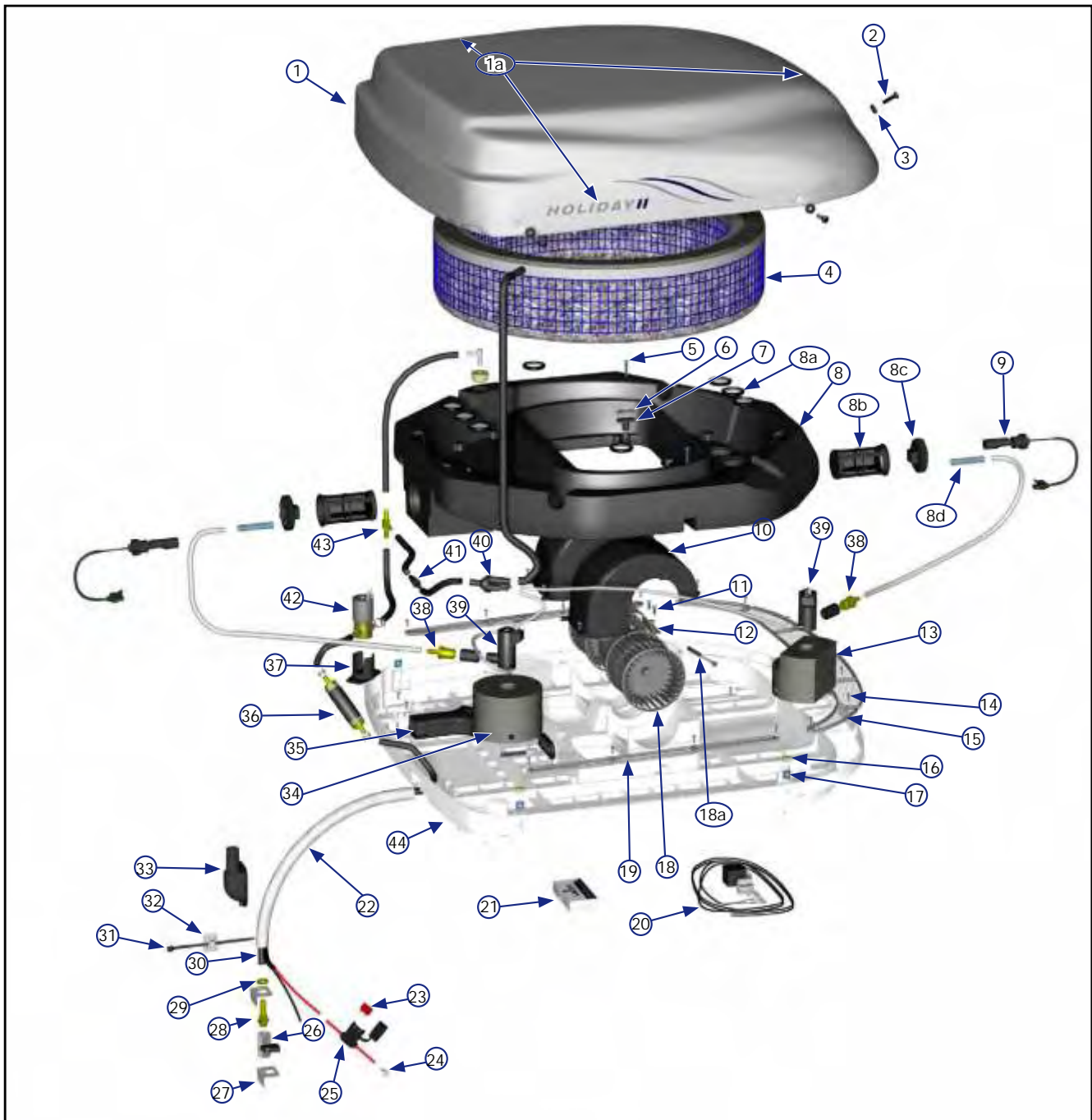
<u>1- SYSTEM CODES</u>	4
<u>2- SPARE PARTS CATALOGUE VIESA HOLIDAY II</u>	4
<u>2.1- TOOLS</u>	8

1- SYSTEM CODES

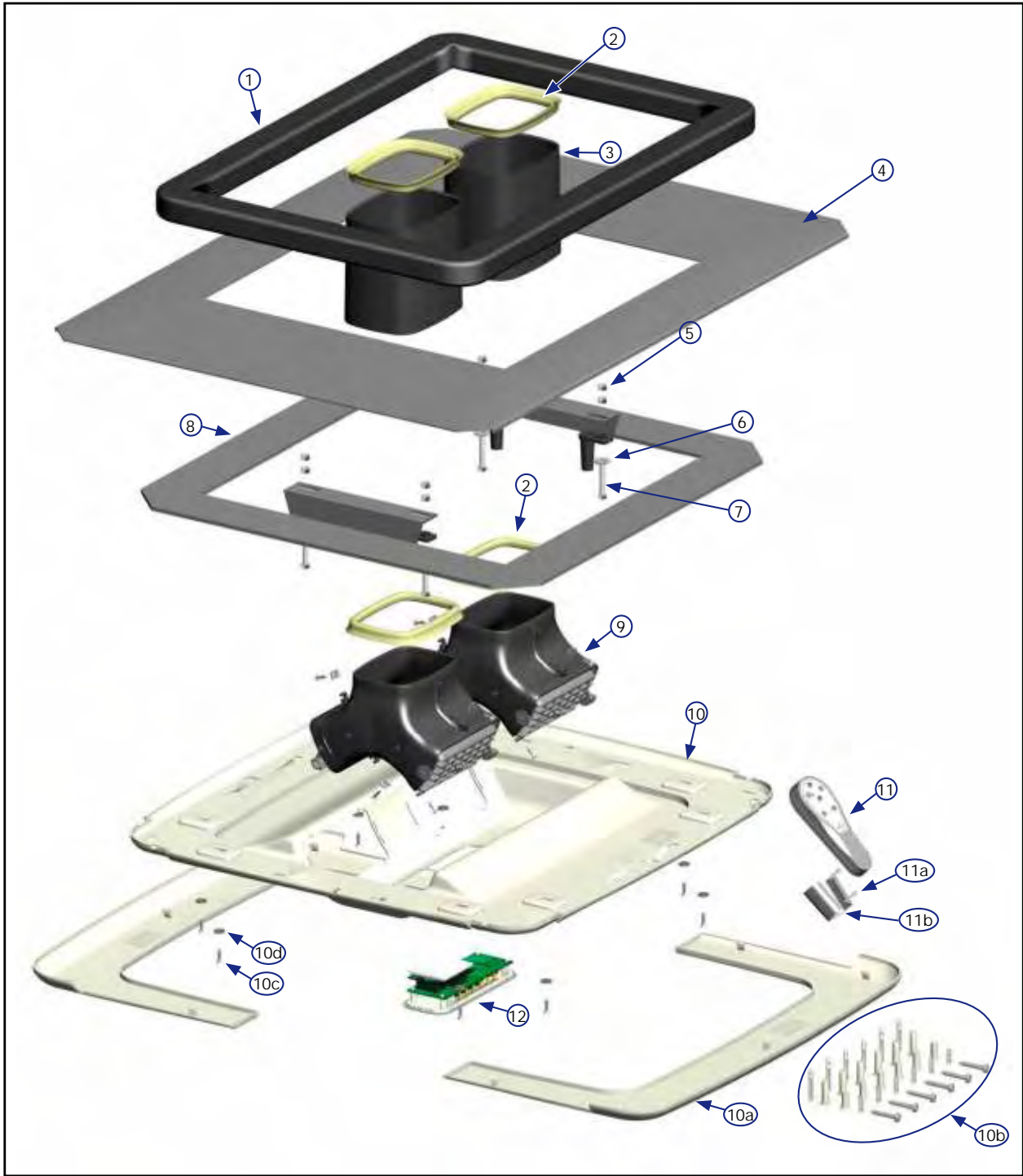
SYSTEMS				
REF.	SYSTEM CODE	MODEL AND BRAND		UNIT
	6242.S0094-0	CARAVAN	UPHOLSTERY COVER 570 X 570 MM.	WITH HATCH ON ROOF
E	6242.S0095-2	CARAVAN	UPHOLSTERY COVER 840 X 570 MM.	WITH HATCH ON ROOF

E: Extension support 780 x 580 mm. code X6017.A112-6 not included.



2- SPARE PARTS CATALOGUE VIESA HOLIDAY II



CODE	DESCRIPTION
1. X6012.A053-7 1a. X6012.A071-9	Viesia Holiday II evaporator unit cover Holiday II decal kit
2. X9401.A075-3	Screw MA 6 x 40 mm.
3. X6001.A060-2	Ø 1/4" plastic washer
4. X6006.A009-1	Viesia Plus evaporator
5. X9401.A041-2	Philips screw (Ø 3/16" x 1 3/8")
6. X6004.A310-7	Plastic washer for tray tank
7. X9404.A117-1	Muffling rubber washer
8. X6012.A060-4 8a. X6012.A091-2 8b. X6004.A357-7 8c. X6004.A017-9 8d. X6005.A091-2	Viesia Holiday II tray PVC filter Ø 35 mm. - Mesh 0.8 mm. PVC filter (Ø 46 mm; lenght 95 mm) For units manufactured before 2010 Cap for evaporator's tray water filter Spring (Ø 9.30 mm x 60 mm)
9. X6012.A081-2	Water level sensor
10. X6006.A011-1	Plastic cover for biturbo blower
11. X9401.A038-0	Philips screw (3/16" x 3/4")
12. X6006.A189-0	Mounting bracket for biturbo blower
13. X6001.A654-5	Rubber bearing for the front water pump
14. X9401.A042-1	Philips screw (Ø 2.9 x 3/4")
15. X6006.A015-6	Frontal air grid
16. X6005.A090-0	Nut plug for evaporator's base
17. X9403.A029-0	Square nut 7/16-E 4.85 M6 x 1.00
18. X6017.A090-9 18a. X6004.A245-9	Biturbo sealed blower 12 V Brushes for biturbo blower
19. X6006.A014-4	Side air grille
20. X6012.A031-0	Holiday adaptation kit for non pressurized systems
21. X6006.A094-2	Granulated Calfa Bas
22. X6012.A014-0	Cord wrap white PVC x 360 cm.
23. X6001.A084-3	Fuse 10 A.
24. X1110.A023-8	Wire terminal 10 mm
25. X6005.A023-1	Fuse box
26. X6012.A012-6	3/8" metallic shut-off valve
27. X6012.A002-3	Holiday 3/8" shut-off valve support
28. X6012.A026-4	3/8" connector for hose 8 mm.
29. X9403.A032-2	Hexagonal nut MC 15 mm.
30. X6010.A053-6	Black PVC hose 7 x 11 x 6000 mm.
31. X9303.A014-1	Plastic tie gray 223 mm
32. X6002.A184-1	Self-adhesive tie base
33. X6012.A030-8	Viesia Holiday electrical and hydraulic access elbow
34. X6001.A655-7	Rubber bearing for the back water pump
35. X6005.A118-9	Harness for evaporator's electrical connection
36. X6012.A086-9	Water filter kit
37. X6012.A024-0	Viesia Holiday electrovalve support
38. X6012.A048-1	Holiday water pump adapter
39. X6001.A027-4	Water pump 12 V
40. X6003.A119-0	Dual restriction valve
41. X6003.A105-2	Single restriction valve
42. X6012.A056-0	NC 12 V Holiday electrovalve
43. X6012.A023-1	"T" connector (5/16" x 3/8")
44. X6006.A005-3	Viesia Plus evaporator's base



CODE	DESCRIPTION
1. X6012.A052-5 X6012.A036-7	Weather strip (20 x 25 x 2000 mm.) Weather strip (30 x 25 x 3000 mm.)
2. X6006.A016-8	Weather strip for air grille
3. X6006.A006-5	Air duct (125 mm.)
4. X6017.A112-6	Extension support 780 x 580 mm.
5. X9403.A005-9	Hexagonal nut MA 6 mm.
6. X9404.A054-3	Washer Ø 7 x 18.5 x 1.5 mm.
7. X9402.A060-0	Hexagonal head screw MA 6 x 110 mm.
8. X6012.A058-4 X6012.A059-6 X6012.A077-8	Viesa Holiday II trim (480 x 480 mm.) Viesa Holiday II trim (530 x 530 mm.) Viesa Holiday II trim (550 x 480 mm.)
9. X6012.A061-6	Holiday II air grille color beige
10. X6012.A062-8 X6017.A109-4 10a. X6012.A051-3 X6012.A057-2 10b. X6012.A074-2 10c. X6012.A063-0 10d. X9404.A126-2	Holiday II upholstery covers with small extension Holiday II upholstery covers with large extension Small extension Large extension Fixing clip pack for large extension Fixing head screw MA 4 x 10 mm. Washer Ø 4.25 x 12 x 2 mm.
11. X6002.A246-0 11a. X9401.A042-1 11b. X6005.A149-7	Viesa remote control Phillips screw (Ø 2.9 x 3/4") Viesa remote control support
12. X6012.A070-7	Holiday II command and control module with power module

CODE	DESCRIPTION
X6005.A119-1	Template exterior 
X6005.A120-9	Template interior 

CATALOGUE VIESA HOLIDAY II
CODE X6022.A139-2
REVISION 003
1-2012



P.O.Box 1352 – 1500 Avenue Road
Toronto, Ontario M5M 0A1
CANADA

COLVEN

Ruta 11 Km.814 - Guadalupe Norte
Prov. de Santa Fe (S3574XAB)
ARGENTINA

ORDER ON-LINE

www.viesa.ca / 1-888 438-8444