


MAINTENANCE

When  is displayed, the evaporator must be replaced.

The equipment will delay in cooling until the evaporator is totally wet.

Do not use fuses higher than 10 Amps.

The equipment will deactivate automatically due to low tension so as to prevent damages to the battery

Use only clean water

Foresee replenishment of water taking into account that the equipment consumes between 1 and 5 litres per hour depending on the ambient temperature.

▲ Very Important: Before repairing the air inlet system, remove the fuse or disconnect the command and control module.

▲ When performing maintenance of the equipment or if the evaporator unit is removed, the system **MUST NOT BE SWITCHED ON** and you must not switch it on with this element removed.

Be careful with the cap of the air entrance, since it may cause serious damages when closing up.

Keep the tank clean. Every 200 hours of use

- Drain all the water from the tank by removing the drain plug
- Rinse with clean water thoroughly
- Pour one bottle of Viesa Scented Cleansing Fluid
- Fill-up the tank with clean water .

Each 6 months change the package of granulated Calfa Bas crystals. Do not use chemical products to clean the control panel.

During short stops leave the equipment on so as to keep the cabin fresh

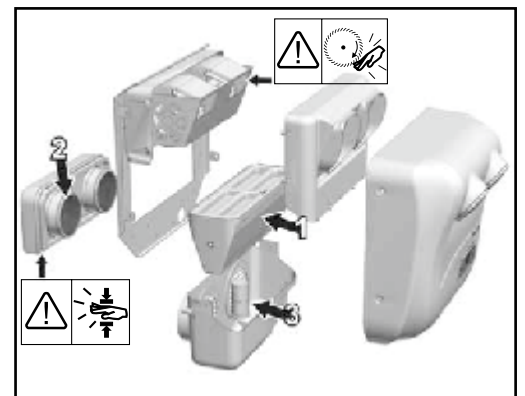
Every 2 months or according to working conditions:

- Submerge the evaporator in water with bleach (1).
- Clean the grids of the air entrances (2).
- Clean the filter of the collector tray (3).

VIESA SCENTED FLUID (EVERY 200 HOURS OF USE)



GRANULATED CALFA BAS EACH 6 MONTHS



ORDER ON-LINE

www.viesa.ca / 1-888 438-8444