



ECOLOGICAL COOLERS

INTERNAL II PARTS CATALOGUE

www.viesa.ca / 1-888 438-8444

IMPORTANT

Installation requires an experienced mechanic with specific knowledge in the installation of the VIESA Ecological Cooler. Installation, disassembly, repairs and maintenance must be performed by an Authorized Installer. Authorized Installer must use proper protective equipment when installing the system.

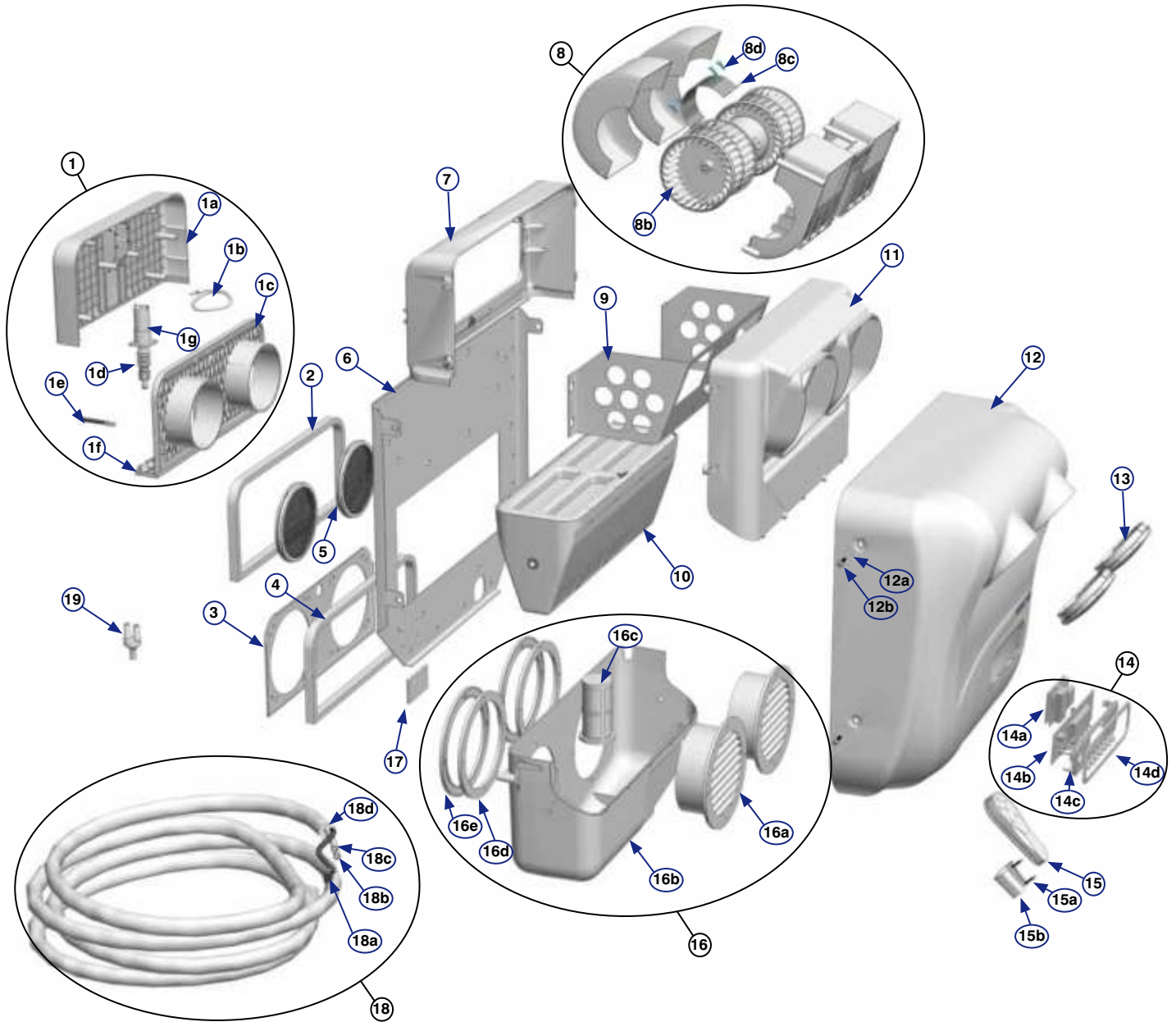
Improper installation or use of unauthorized parts can cause malfunctions, loss of battery life or other consequences which may result in serious injury.

Manufacturer or Distributor will not be responsible for injuries or damages resulting from misuse of equipment, use contrary to operating instructions or installation by any person other than an Authorized Installer.

Information contained in this manual is subject to change. Manufacturer reserves the right, without notice, to make changes in equipment design or components as progress in engineering, manufacturing or technology may warrant.

World-wide Patents

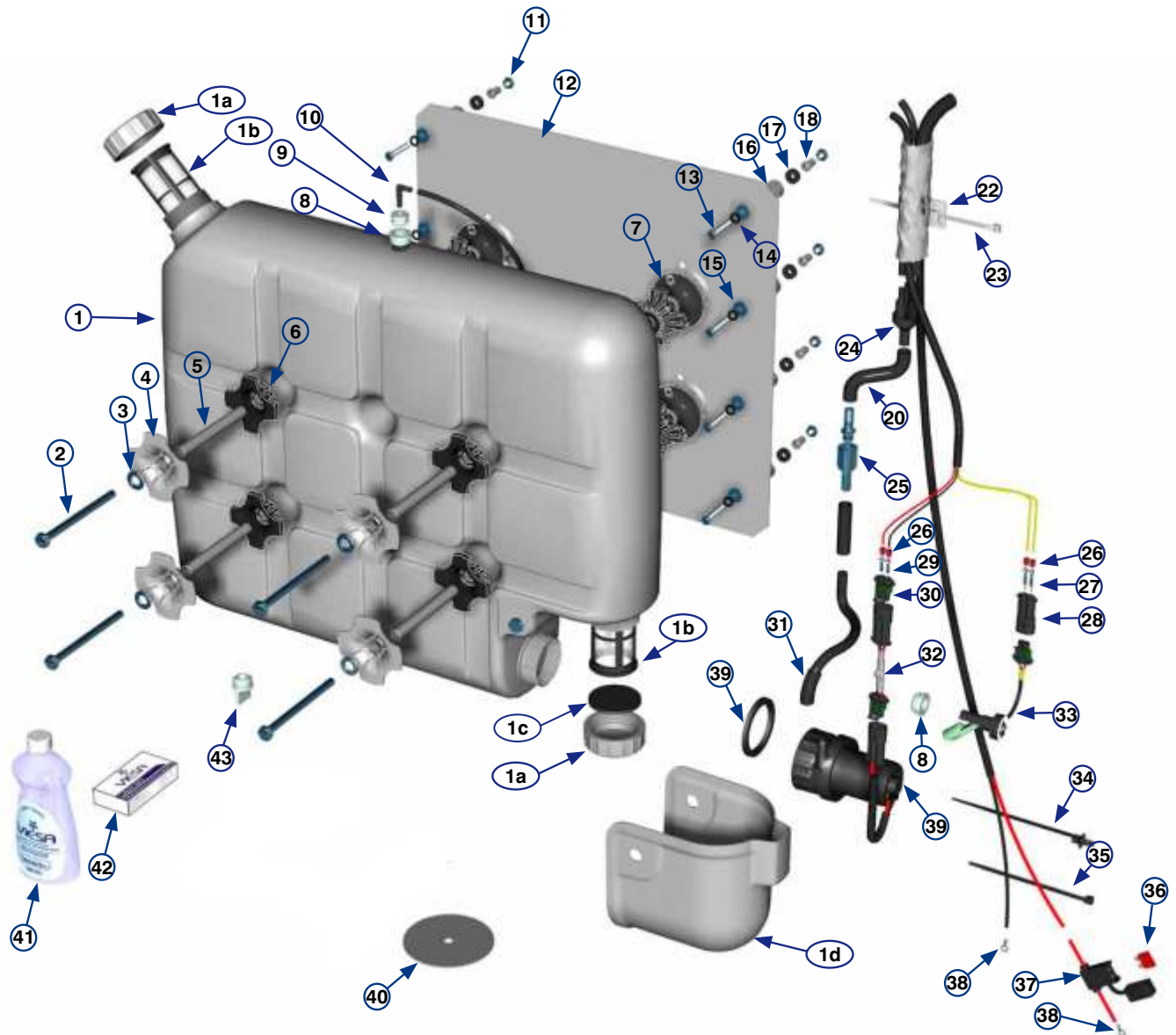
VIGIA is a trademark of Col-Ven S.A.



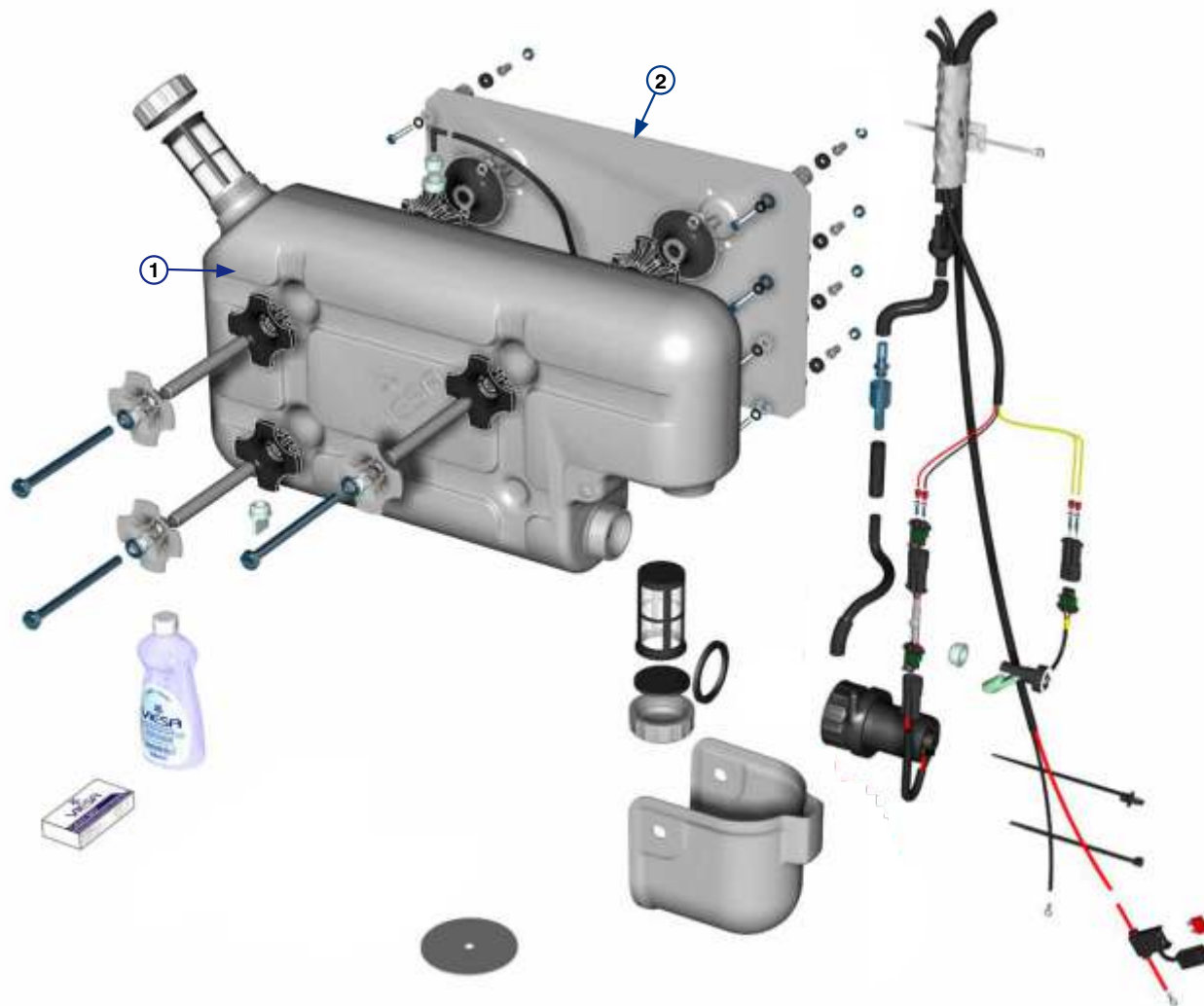
CODE	DESCRIPTION
1. X6016.A064-1 1a. X6016.A040-0 1b. X6016.A036-9 1c. X6016.A041-2 1d. X6016.A039-2 1e. X6016.A038-0 1f. X6016.A072-0 1g. X6016.A037-1	Viesia Internal II 12 V. inlet air system Viesia Internal II 12 V. air inlet system cover Viesia Internal II electrical installation of the air inlet system Viesia Internal II base of the air inlet system Bellows for rod for the air inlet system Viesia Internal II temperature sensor Cover set and motor for air inlet Viesia Internal II - 12 V. Gearbox 12 V.
2. X6001.A656-9	8 x 8 x 1100 mm. weather strip with adhesive
3. X6016.A059-8	Support for the air inlet system for the Viesia Internal II
4. X6016.A053-9	15 x 15 x 1100 mm. weather strip
5. X6016.A066-5	Filter for the air inlet system for the Viesia Internal II
6. X6016.A063-2	Support for evaporator unit Viesia Internal II
7. X6016.A042-4	Viesia Internal II base
8. X6017.A044-2 8b. X6006.A098-0 8c. X6017.A062-4 8d. X9401.A055-0	Complete biturbo fan of 12 V. Turbines for injected base 12 V Motor mounting bracket Phillips screw 3.5 x 3/4" zinc coating
9. X6016.A044-8	Motor support for the Viesia Internal II
10. X6016.A065-3	Viesia Internal II evaporator
11. X6016.A047-1	Motor cover for the Viesia Internal II
12. X6016.A071-1 12a. X6016.A045-0 12b. X9402.A118-2	Viesia Internal II evaporator unit cover 1/4" grey washer Bolt tork M6 x 1 x 15 mm. stainless steel
13. X6016.A057-4	Circular air guide
14. X6016.A067-7 14a. X6016.A051-5 14b. X6016.A050-3 14c. X6016.A060-6 14d. X6016.A049-5	Viesia Internal II power and control module set Viesia Internal II power module Viesia Internal II control module Support for control module Internal II Frame for the command and control module Viesia Internal II
15. X6002.A246-0 15a. X9401.A042-1 15b. X6005.A149-7	Viesia remote control Philips screw 2.9 x 3/4" Viesia remote control support
16. X6016.A062-0 16a. X6016.A024-2 16b. X6016.A076-8 16c. X6004.A220-6 16d. X6016.A018-7 16e. X6016.A022-1	Viesia Internal II water collector set Viesia Internal II air inlet grid Viesia Internal II water collector PVC filter (46 mm. length 95 mm.) Joint for grid inlet air system Plastic washer for air grid
17. X6016.A061-8	Command module of the Viesia Internal II air inlet system
18. X6016.A068-9 18a. X6016.A043-6 18b. X6004.A010-8 18c. X6016.A052-7 18d. X6016.A056-2	Viesia Internal II electric and hydraulic installation Viesia Internal II electrical installation Black PVC hose 9 x 15 x 6000 mm. Grey PVC hose 9 x 15 x 5500 mm. Cord Wrap Grey 34.5 x 3600 mm.
19. X6016.A055-0	Viesia Internal II restriction valve



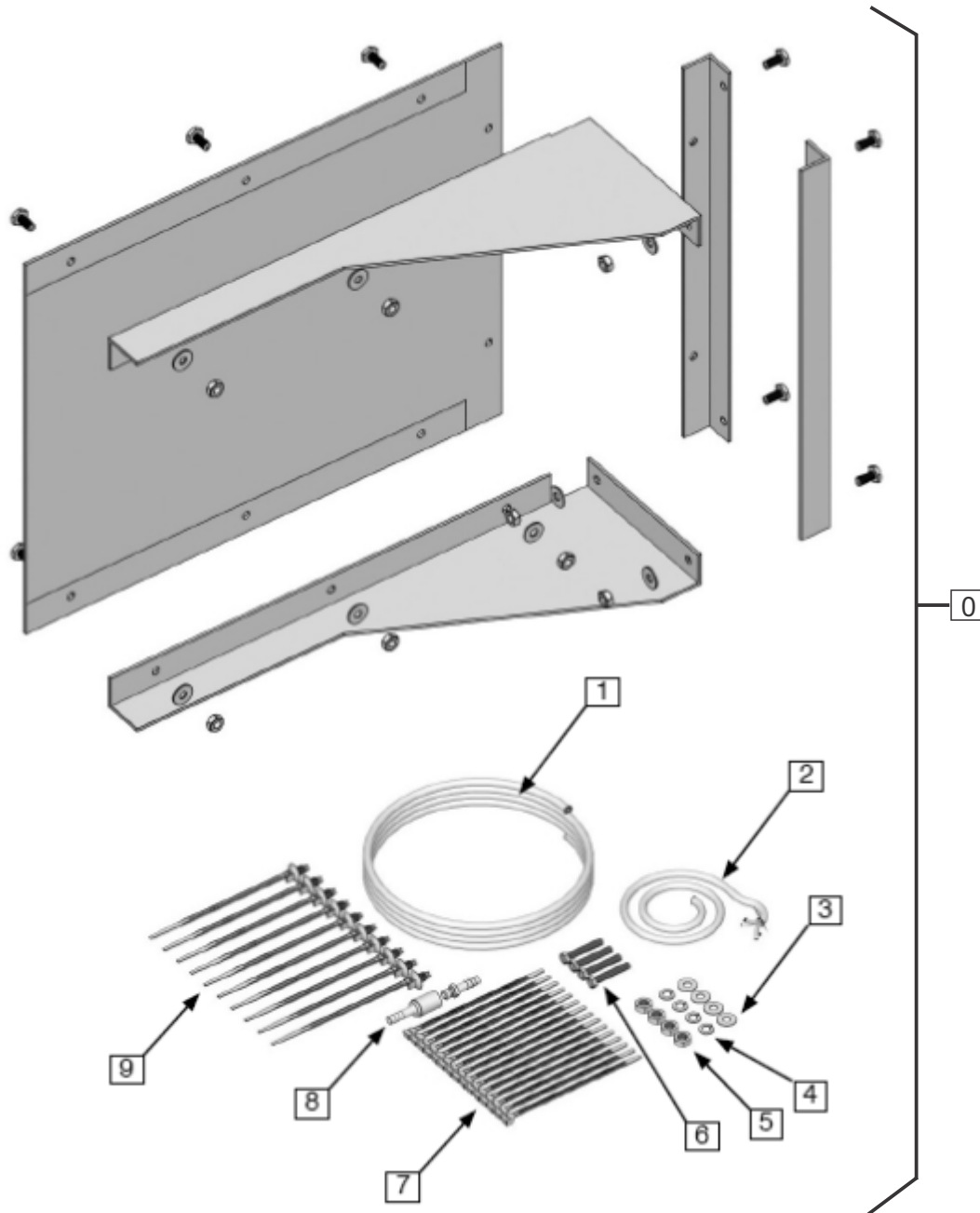
WATER TANK VIESA INTERNAL II



	CODE	DESCRIPTION
1.	X6006.A030-2	Water tank
1a.	X6003.A076-5	Water tank cap
1b.	X6004.A357-7	PVC filter (Ø 46 mm. length 95 mm.)
1c.	X6004.A183-0	Gasket for water tank's cap
1d.	X6004.A322-1	Water pump cover
2.	X9402.A117-0	Hex-head screw MA 10 x 140 mm.
3.	X9404.A127-4	Washer 11.5 mm.
4.	X6004.A337-1	Plastic washer for water tank
5.	X6004.A339-5	Spacer tube 135 mm.
6.	X6004.A323-3	Securing washer for water tank
7.	X6004.A338-3	Crimp washer for water tank
8.	X6001.A074-0	Rubber gasket for water level sensor
9.	X6001.A187-0	Rubber gasket for water tank vent
10.	X6004.A049-9	Water tank vent
11.	X9403.A005-9	Hexagonal nut MA 6 mm.
12.	X6004.A335-0	Water tank support plate (500 x 470 mm.)
13.	X9402.A047-5	Screw MA 6 x 40 mm.
13.	X9402.A064-5	Screw MA 6 x 50 mm.
14.	X9404.A052-2	Grower washer Ø 1/4"
15.	X9404.A054-3	Washer Ø 7 x 18.5 x 1.5 mm.
16.	X6005.A025-2	Aluminium spacer Ø 22 x 10 mm.
16.	X6005.A026-4	Aluminium spacer Ø 22 x 15 mm.
17.	X6004.A178-7	Polyester washer
18.	X6004.A107-0	Threaded rivet MA 6 x 1.00
18.	X6004.A202-4	Neoprene threaded rivet MA 6 x 1.00
22.	X6002.A184-1	Self-adhesive tie base
23.	X9303.A014-1	Plastic tie gray 223 mm
24.	X6003.A119-0	Dual restriction valve
25.	X6004.A086-2	Quick connection hose 9 x 15 mm
26.	X1111.A209-3	2-way connector seal
27.	X1110.A028-5	Crimp wire terminal male
28.	X1111.A208-1	2-way connector male
29.	X1110.A029-7	Crimp wire terminal female
30.	X1111.A207-2	2-way connector female
31.	X6005.A095-0	Preformed hose for water pump
32.	X6010.A060-3	Antiparasitic filter
33.	X6005.A056-0	Water level sensor
34.	X9303.A013-2	Plastic loop tie black
35.	X9303.A010-6	Plastic tie black 223 x 5 mm
36.	X6001.A084-3	Fuse 10 A.
37.	X6005.A023-1	Fuse box
38.	X1110.A023-8	Wire terminal 10 mm
39.	X6002.A262-8	Water pump 12 V
40.	X6005.A108-6	Cabin reinforcement plate
41.	X6004.A319-2	Scented cleansing fluid
42.	X6006.A094-2	Granulated Calfa Bas
43.	X6001.A075-2	Water tank plug

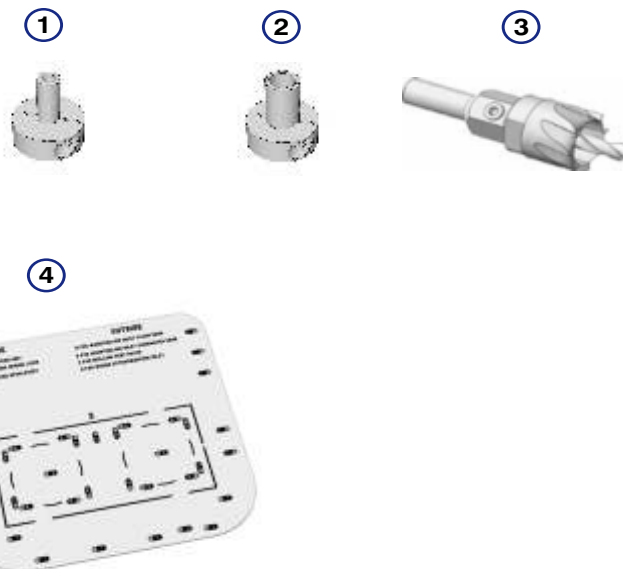


	CODE	DESCRIPTION
1.	X6004.A359-1	Small water tank
2.	X6004.A336-2	Water tank support plate (500 x 300 mm.)



CODE	DESCRIPTION
0. X6004.A260-5	Water tank chassis installation kit
1. X6004.A010-8	Black PVC hose 9 x 15 mm. x 600 cm.
2. X9703.A003-6	Electrical wire (per meter)
3. X9404.A063-4	Washer 5/16".
4. X9404.A056-7	Grower washer 5/16".
5. X9403.A021-7	Nut MA 8.
6. X9402.A059-2	Screw MA 8 x 65 mm.
7. X9303.A014-1	Plastic tie gray 223 mm
8. X6004.A086-2	Quick connection hose 9 x 15 mm
9. X9303.A013-2	Plastic loop tie black

TOOLS VIESA INTERNAL II



	CODE	DESCRIPTION
1.	X1122.A234-4	Drill bit stopper 5mm
2.	X1122.A235-6	Drill bit stopper 9mm
3.	X1122.A237-0	Hole-saw 22mm
4.	X6016.A087-0	Template Viesa Internal II

PARTS CATALOGUE VIESA INTERNAL II

**REVISION 004
1-2017**



P.O.Box 1352 – 1500 Avenue Road
Toronto, Ontario M5M 0A1
CANADA

COLVEN

Ruta 11 Km.814 - Guadalupe Norte
Prov. de Santa Fe (S3574XAB)
ARGENTINA

ORDER ON-LINE

www.viesa.ca / 1-888 438-8444